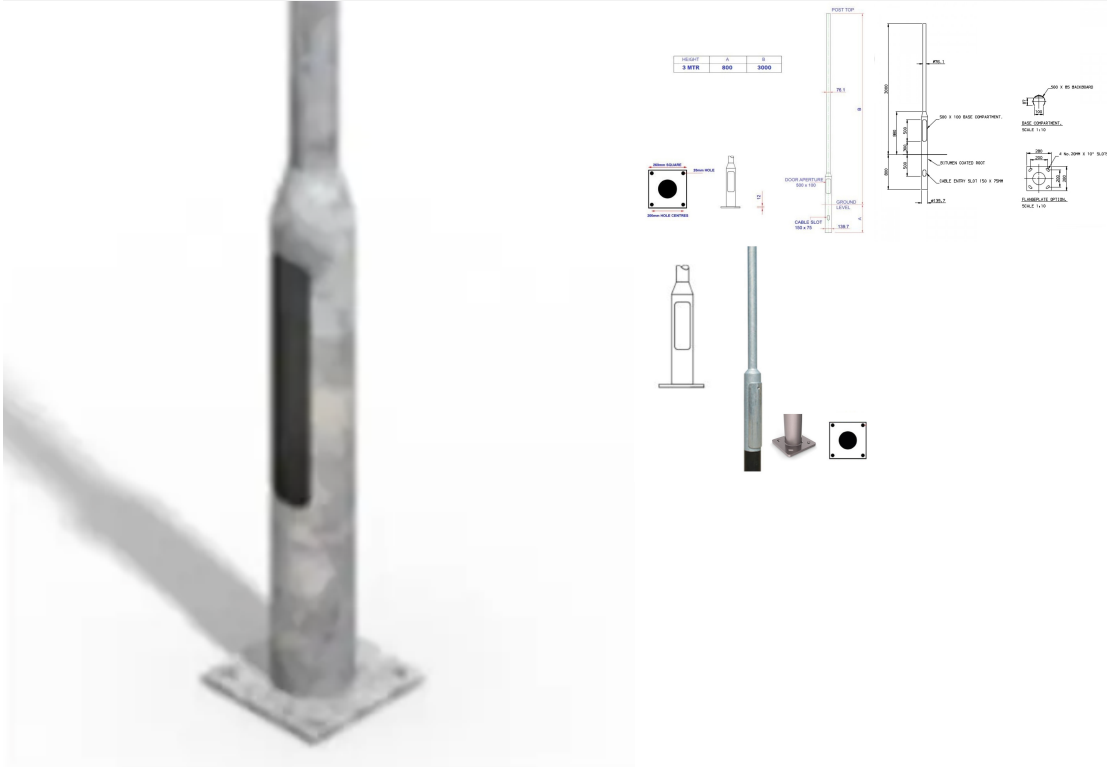


****CLEARANCE **2.6m CUT DOWN Flange Plated Lighting Column (Bolt Down) - Street Lamp Post Galvanised Steel (76mm Shaft/140mm Base)**

\$258.18 \$180.05



**CLEARANCE **2.6m cut down for customer - cancelled order- only 1 available

Flange Plated Lighting Column 2.6m (Bolt Down) - Steel Galvanised Tubular Street Lamp Post (76mm Shaft / 140mm Base) c/w with door (500mm x 100mm) and wooden backboard/ Column Weight 32kg. Maximum head load (Kg/m²) = 50 /0.5 for terrain category 3. Lighting column designed to BSEN40, PD6547 : 2004 + A1:2009 Hot dipped galvanised to BS EN ISO 1461:2009. Manufactured in steel tube to EN10210. Standard duty lighting column suitable for road, residential, CCTV/security features and general amenity areas, with street lanterns, floodlights & post top amenity luminaires (please see related accessories). **PLEASE NOTE - Weight & Windage must be checked for suitability of the column against the installation postcode. Please email us for more information prior to purchase. It is the responsibility of the installer to ensure columns are installed safely and correctly, no liability will be accepted by The LED Store/supplier. In certain cases a ground survey may be required prior to installation.** . Requires M16 foundation bolt set & may require template for fitting - items sold separately. Unit does not include the column door key. Please see the link to this product below.

[M8 COLUMN DOOR KEY](#)

| | Height Above Ground (m) | Root (Below Ground) | Base Diameter (mm) | Shaft Diameter (mm) | Base Height (mm) | Shaft Height (mm) | Max Head Weight kg/m ² | Weight (kg) | Min Concrete Diameter* (mm) |
|-----------|-------------------------|---------------------|--------------------|---------------------|------------------|-------------------|-----------------------------------|-------------|-----------------------------|
| LST-3MCOL | 3m | 800mm | Ø140mm | Ø 76mm | 1250mm | 1690mm | 40kg / 0.4 | 27kg | 950mm |
| LST-4MCOL | 4m | 800mm | Ø 140mm | Ø 76mm | 1250mm | 2690mm | 40kg / 0.4 | 32kg | 950mm |
| LST-5MCOL | 5m | 800mm | Ø 140mm | Ø 76mm | 1250mm | 3675mm | 40kg / 0.4 | 37kg | 525mm |
| LST-6MCOL | 6m | 1000mm | Ø 140mm | Ø 76mm | 1250mm | 4660mm | 40kg / 0.4 | 47kg | 269mm |
| LST-8MCOL | 8m | 1200mm | Ø 168mm | Ø 89mm | 1250mm | 6630mm | 30kg / 0.3 | 80kg | 262mm |

| | | | | | | | | |
|----------------|--------|---------|---------|--------|--------|-------------|-------|-------|
| LST-10MCOL 10m | 1500mm | Ø 168mm | Ø 114mm | 1250mm | 8600mm | 30kg / 0.28 | 120kg | 239mm |
| LST-12MCOL 12m | 1700mm | Ø 194mm | Ø 114mm | 1250mm | 9840mm | 40kg / 0.33 | 190kg | 262mm |

*Root concrete diameter based on poor soil or better, minimum 230kN/m² per m

| Height Above Ground (m) | Flange Plate Size (mm) | Base Diameter (mm) | Shaft Diameter (mm) | Base Height (mm) | Shaft Height (mm) | Max Head Weight kg/m ² | Weight (kg) | Concrete Dimensions* (mm) |
|-------------------------|------------------------|--------------------|---------------------|------------------|-------------------|-----------------------------------|-------------|---------------------------|
| LST-3MCOLFP 3m | 280mm x 280mm | Ø140mm | Ø76mm | 1250mm | 1690mm | 40kg / 0.4 | 30kg | 700 x 700 x 800 |
| LST-4MCOLFP 4m | 280mm x 280mm | Ø140mm | Ø76mm | 1250mm | 2690mm | 40kg / 0.4 | 32kg | 700 x 700 x 800 |
| LST-5MCOLFP 5m | 280mm x 280mm | Ø140mm | Ø76mm | 1250mm | 3675mm | 40kg / 0.4 | 39kg | 750 x 750 x 800 |
| LST-6MCOLFP 6m | 280mm x 280mm | Ø140mm | Ø76mm | 1250mm | 4660mm | 40kg / 0.4 | 47kg | 750 x 750 x 800 |
| LST-8MCOLFP 8m | 320mm x 320mm | Ø168mm | Ø89mm | 1250mm | 6630mm | 30kg / 0.3 | 89kg | 850 x 850 x 900 |

*Concrete dimensions based on a minimum ground bearing pressure of 150kN/m² per m (Width x Width x Height)