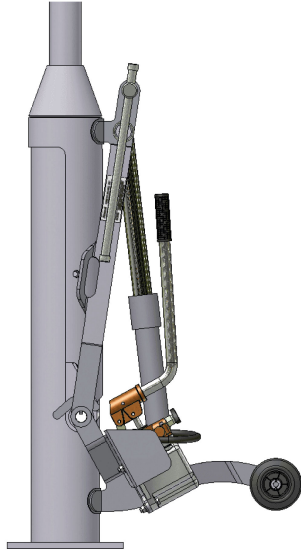


Hydraulic Counterbalance for Base Hinged Light Duty Columns - 4m - 8m

\$2,470.94



Hydraulic Counterbalance for Base Hinged Light Duty Columns
- 4m - 8m

Max head weight (varies depending on column size). Please
see below guide:

4m column = 53kg

5m column = 40kg

6m column = 29kg

8m column = 17kg

Raise and lower from ground level up to a height of 8 metres -
mainly used to mount floodlights, CCTV cameras, wind
turbines and compact communication devices.