

Technical Information

3rd Angle

Design

BSEN40, PD6547: 2004+A1: 2009 Extra heavy wind loading region (No sign)

Load class B

Deflection class 3

Head load 30kg/0.25m² *

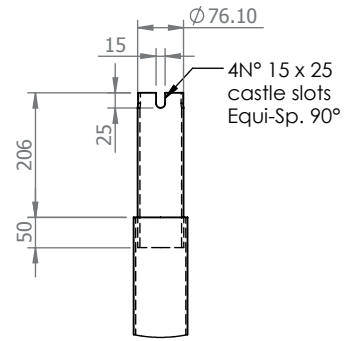
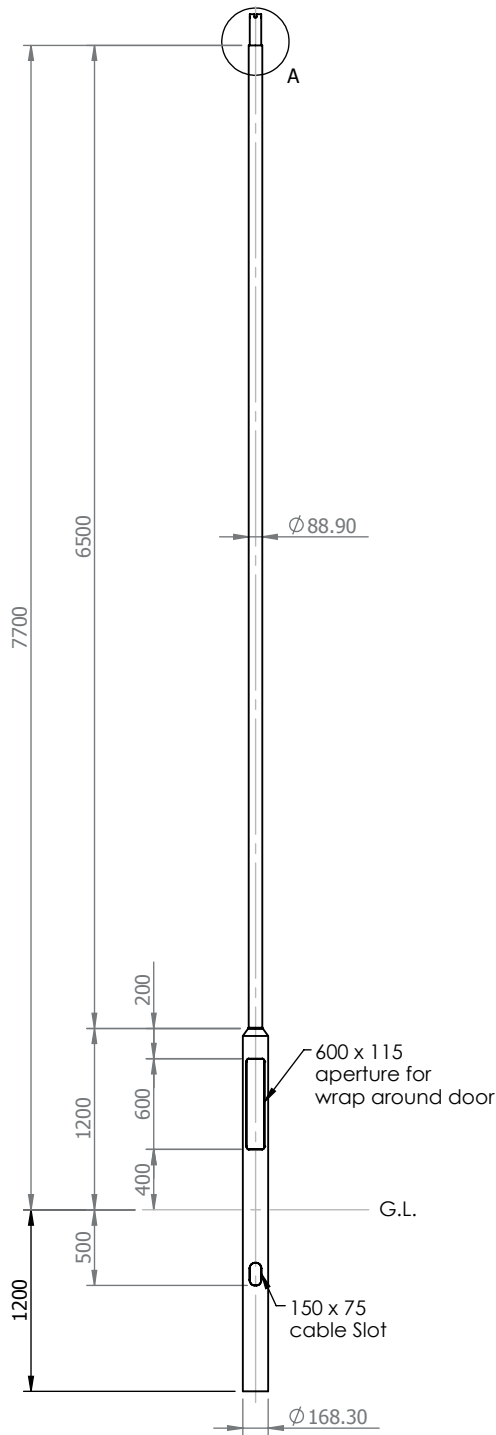
Finish

Galvanised to BSEN 1461:2009

Welding

In accordance with BSEN1011
Procedures to BSEN ISO 15614-1:2004
Welders qualified to BSEN 287-1:2004

* Maximum design head load based on wind loading region with orientation of bracket/ luminaire(s) being on same plane as door



DETAIL A
SCALE 2 : 25

2012 © Copyright

SEDNA[®]
l i g h t i n g

Notes

All dimensions in millimetres unless stated otherwise.

When Multiple views are shown 3rd Angle Projection is assumed.

Revisions		
Rev.	Description	Date

Title

8metre tubular post top column

Drg No. 28350-0

Scale:1:50

Sheet 1 of 1

Drawn By: MLS

Chk'd: MB

Ref. SDCOL8M89 (7.7M)

Contract:

Customer:

Date: 10/09/2012